

Regupol® E48 (E-FC-6)

High Performance Screed Isolation for Beam & Block Floors

Technical Data Sheet

PRODUCT DESCRIPTION

Regupol® E48 is a recycled tyre crumb product designed to isolate screeds from the main structure of the building, reducing impact energy generated by general footfall.

Regupol® E48 offers enhanced acoustic performance at loads up to and including 30kN/m and having a dimpled surface on one side increases air movement, further aiding overall performance.



APPLICATION

Regupol® E48 has been developed to offer enhanced isolation and impact sound performance in:

- Apartments
- Hotels
- Schools
- Hospitals
- Retail

FEATURES and BENEFITS

- Robust Detail approval for beam & block floor E-FC-6
- Excellent impact and airborne performance
- Offers long term performance without collapse or “bottoming” out under high point loads
- Resistant to ageing and deformation
- Quick and easy to install with no need for separate perimeter strips
- Minimises construction heights
- Mildew and moisture proof
- Zero global warming potential (GWP) and zero ozone depletion potential (ODP)
- Product manufactured using Recycled Materials and 100% recyclable

PHYSICAL INFORMATION

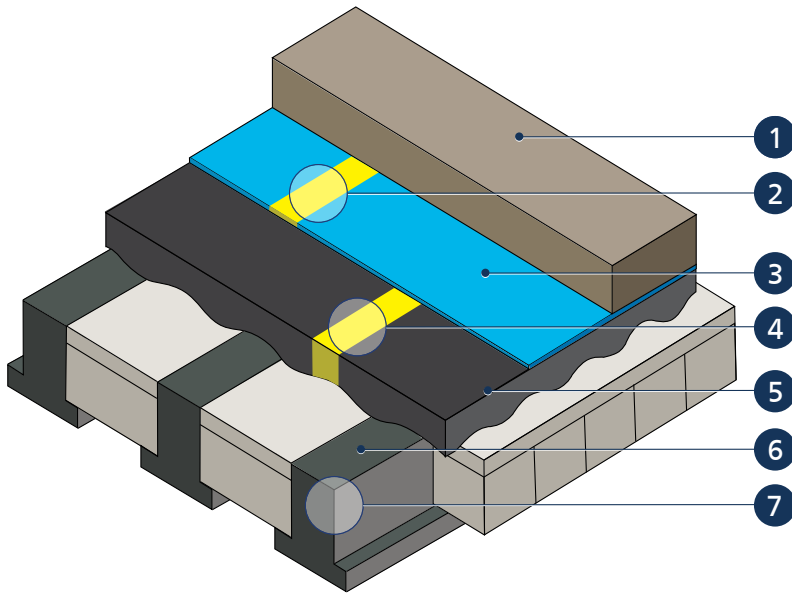
Sheet length	13m
Sheet width	1.15m
Material thickness	8mm nominal (dimpled one side)

TECHNICAL INFORMATION

Density	approx 600kg/m ³
Tensile strength (DIN 53571)	approx 0.5N/mm ²
Thermal conductivity	approx 0.14W/mK
Elongation at break	approx 47%
Mean Value of Dynamic Stiffness	47MN/m ³
Maximum load bearing capacity	3000kg/m ² (30kN/m ²)
Temperature resistance	-40 °C to +110 °C
Airborne sound insulation (DnT,w + Ctr)	49dB (mean average)
Impact sound insulation (L'nT,w (Ci))	*47dB (mean average)
Impact Improvement (ΔLw (Cld))	31dB

* Based upon site testing for Robust Detail compliance in beam and block applications

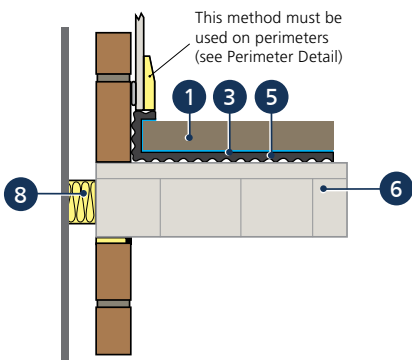
TYPICAL INSTALLATION



For example purposes only

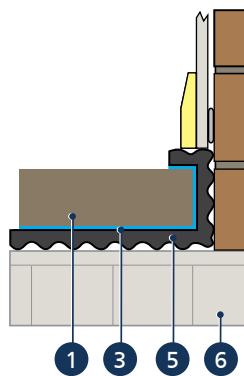
- 1 65mm sand cement screed or minimum 40mm proprietary screed
 - 2 Taped joint*
 - 3 Minimum 500 gauge polythene sheeting
 - 4 Joint detail**
 - 5 Regupol® E48 8mm layer
 - 6 Beam & Block floor, minimum 300kg/m² Blocks topped with a minimum 50mm concrete
 - 7 Perimeter detail
 - 8 Acoustic cavity closer
 - 9 Hi-tack tape
- * DPM overlap to be minimum 100mm
 ** For Proprietary Screeds

Ceiling View



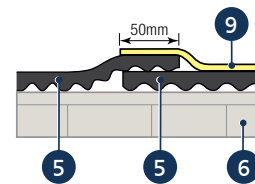
For example purposes only

7 Perimeter Detail



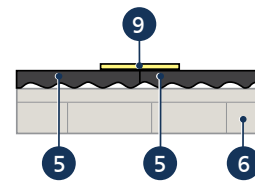
For example purposes only

4 Joint Detail - overlapped (Preferred method of installation)



For example purposes only

4 Alternative Joint Detail - butted



For example purposes only

Important:

Regupol® E48 must be installed dimple side down.

