

TECHNICAL DATA SHEET

SOUNDLAY

PRODUCT DESCRIPTION

CMS Danskin Acoustics SoundLay is available in two formats - SoundLay and SoundLay Plus - offering a high performance floor noise barrier and reducing both impact and airborne sound. Class '0' Foam provides a uniform density throughout the entire product unlike reconstituted chipfoam products which have inferior fire performance that are sometimes used in these applications.

SoundLay

SoundLay is designed for concrete floor applications and can also be used for timber floors. It is primarily used where impact noise insulation is required although can also provide a level of airborne noise insulation.

It is a two layer laminate, the upper being WB7.5 acoustic barrier supported by a 6mm layer of Class '0' acoustic foam.

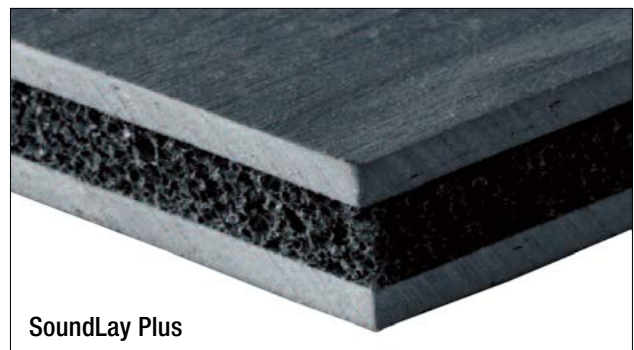
SoundLay Plus

SoundLay Plus is primarily designed for timber floors although can also be used with concrete floor constructions. It offers additional airborne and impact sound insulation to SoundLay so is aimed at developments where superior noise control is necessary.

This high performance composite is a sandwich laminate of two layers of WB7.5 acoustic barrier separated by a 6mm layer of Class '0' acoustic foam.

APPLICATIONS

- New build
- Retrofit
- Renovation
- Offices
- Residential developments
- Hotels



BENEFITS

- Reduces impact sound
- Improved airborne sound performance
- Suitable for concrete and timber floating floors
- Both systems tested on basic floor constructions
- Flexible, easily cut
- Supplied in thin, easy to handle tiles
- Simple to install
- Cost effective
- Suitable for all final floor finishes

TECHNICAL INFORMATION

Acoustic performance: Timber floors

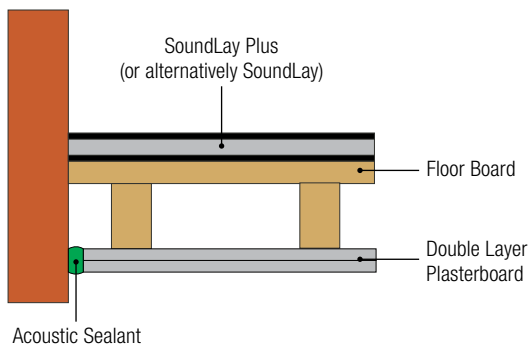
	Airborne sound insulation*	Impact sound insulation**
SoundLay	47dB	53dB
SoundLay Plus (example 1)	49dB	55dB
SoundLay Plus (example 2)	54dB	49dB

* Doc E Building Regulations 43/45 DnTw (minimum)

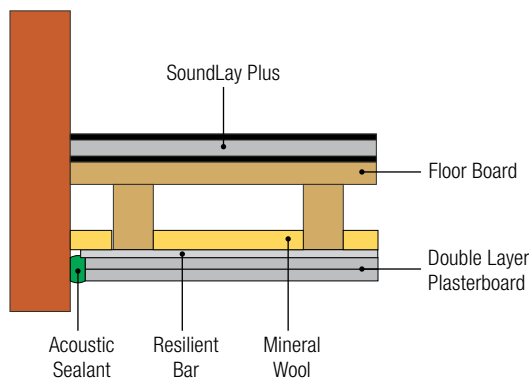
** Doc E Building Regulations 62/64 LnTw (minimum)

	Dimensions	Thickness (mm)	Weight (kg/m ²)
SoundLay	1200mm x 1000mm	9	8
SoundLay Plus	1200mm x 1000mm	12	15

Example 1



Example 2



INSTALLATION SERVICE

In addition to supply of this product CMS Danskin Acoustics can provide a listing of competitively-priced approved installers that service anywhere in the UK. Use of this service ensures that installation is performed to the highest standards by tradesmen fully experienced in the specialist skills of fitting CMS Danskin Acoustics materials correctly. Please contact your local CMS Danskin Acoustics for a list of approved and qualified installers.

CMS DANSKIN ACOUSTICS

Scotland Office: Tel: **01698 356000** Fax: **01698 372222**
1 Netherton Road, Wishaw, ML2 0EQ

Central/Southern Office: Tel: **01925 577711** Fax: **01925 577733**
Unit 2 Lyncastle Road, Appleton, Warrington, WA4 4SN

Email: info@cmsdanskin.co.uk Website: www.cmsdanskin.co.uk

INSTALLATION

CMS Danskin Acoustics SoundLay is supplied in standard sheet/ tile sizes. These are easy to lay on the floor in a staggered pattern, placing tightly together.

The SoundLay sheets can be laid loose or bonded to the floor. When bonding to the floor, ensure that the surface is clean, dry, grease free and that the flooring is secured before bonding. Regupol® Regubond 100 should be used. The SoundLay sheets can be pushed up to the skirting board or wall; ensure a tight fit to prevent flanking of airborne noise.

Carpets

Can be installed using grippers or by bonding. Contact CMS Danskin Acoustics for advice on the selection and fitting of grippers. When bonding, ensure the adhesive is suitable for polyurethane materials, as shrinkage may occur. When bonding carpet, it is recommended that SoundLay sheets are first bonded to the floor, using Regupol® Regubond 100.

Laminate*

Where a wooden laminated floor finish is being used, it is recommended that a layer of 12mm T+G plywood is bonded to the SoundLay first, using Regupol® Regubond 100.

Vinyl

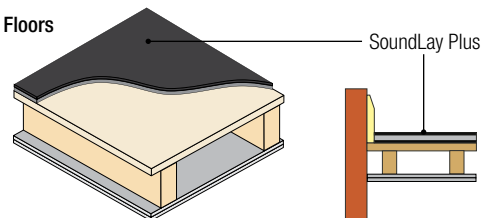
Where vinyl floor coverings are to be used, it is recommended that a layer of 12mm T+G plywood is bonded to the SoundLay first, using Regupol® Regubond 100.

For installations and applications not listed, please contact CMS Danskin Acoustics for guidance.

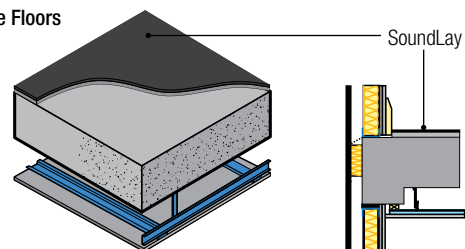
*Please note, nail bound systems must not be used with SoundLay as this will compromise the material's acoustic performance.

Example Only

Wooden Floors



Concrete Floors



IMPORTANT: Directions for use are given for guidance only and are not intended to form part of any contract. They should be varied or adapted to suit your particular materials or conditions of use. It is strongly recommended that prospective users test a sample of the product under their own conditions to satisfy themselves of its suitability for the intended purpose. For the Pre Completion Testing route to compliance with the Building Regulations CMS Danskin Acoustics may provide site test evidence (where available) concerning the use of their product in a similar overall construction. Test evidence of a product passing minimum standards in one construction is not a warranty or specification that the same product will meet the desired acoustic performance level in any other building. Such evidence can only be considered indicative and should not be relied upon.

CMSDANSKIN
ACOUSTICS