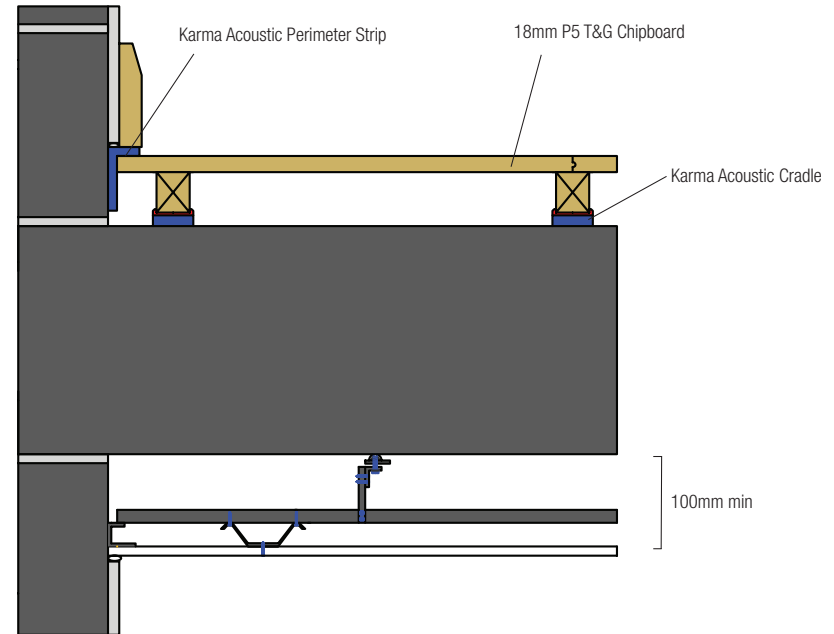


NB • RF • RD
 PCT • BBA • SUS
 CAD

CONCRETE CRADLE AND BATTEN FFT-2 SOLUTION

PRODUCT	IMPACT PERFORMANCE ΔL_w
Karma Acoustic Cradle (RD and PCT)	22 dB
Karma Acoustic Levelling Batten (PCT only)	24 dB

NB – requirement on RD concrete floor is ΔL_w 17dB, as shown in Appendix D. Results found have been tested in accordance with Robust Details Appendix D.



ACOUSTIC LEVELLING PRODUCTS

Acoustic levelling products are designed for use on uneven sub-floors, providing impact sound insulation and a level floating floor in one product.

This solution may comprise either the Karma Acoustic Cradle or Karma Acoustic Levelling Batten.



KARMA ACOUSTIC CRADLE

- Stackable
- Low material cost
- Simple to install
- Various sizes available for different degrees of adjustment
- Robust Detail floor option FFT-2 for E-FC-1, E-FC-2, E-FC-7 or E-FS-1



KARMA ACOUSTIC LEVELLING BATTEN

- Engineered composite solution
- Stepless adjustment of up to 30mm is provided by a threaded metal insert in the centre of the batten's body. This accommodates a threaded foot assembly which can be easily adjusted with a drill or screwdriver
- Patent number EP1780351
- Various batten sizes available

Solution Ref: KF-002

BENEFITS

- Exact quantity take-offs and installation plans can be provided as per the dimensions on the drawings provided
- Minimal component range, resulting in cost-effective solutions
- No specialist tools required
- Easy to handle, conforms to site weight regulations
- Lightweight partitions can be built off the floating floor
- The voids in between the battens provide space to run services
- Removes requirement of wet trade

TYPICAL APPLICATIONS

- New build or refurbishment concrete builds
- Apartments including professional and student accommodation, hotels
- Robust Details floor option E-FC-1, E-FC-2, E-FC-7, E-FS-1 or E-FS-2 when using Karma Acoustic cradle